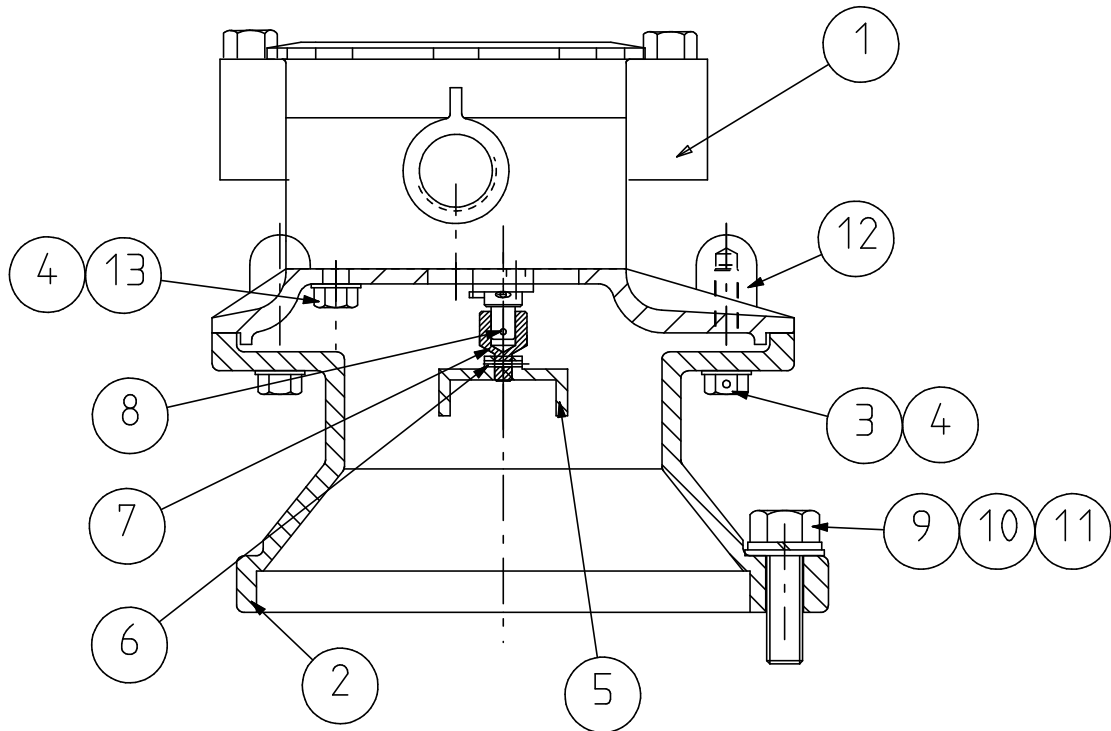


LIQUIP

EPM200-3Z METER KIT FOR ELECTRONIC REMOTE PULSER TO TOP MOUNT TO NEPTUNE METER

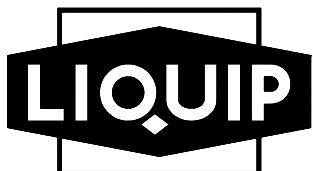


ITEM	PART NO	DESCRIPTION	QTY	MATERIAL
1	-	ELECTRONIC REMOTE PULSER	-	ELECTRONIC
2	EMH200-5	ADAPTOR BRACKET - NEPTUNE	1	ALUMINIUM
3	EMH500-17	SETScrew - WITH HOLE FOR SEALING	2	Z/P M/S
	4992	SETScrew	2	Z/P M/S
4	0107	WASHER SPRING	7	Z/P M/S
5	1696	DRIVE - NEPTUNE	1	ALUMINIUM
6	1697	SELOX PIN	1	Z/P M/S
7	EMH300-10	ADAPTOR DRIVE	1	ALUMINIUM
8	0759	COTTER PIN	1	ST STEEL
9	6510	SETScrew - WITH HOLE FOR SEALING	2	Z/P M/S
10	4370	WASHER FLAT	2	Z/P M/S
11	0109	WASHER SPRING	2	Z/P M/S
12	EPM200-1	BRACKET - TOP MOUNT ERP	1	ALUMINIUM
13	4984	SETScrew	3	Z/P M/S
14	6317	INSTRUCTION LEAFLET	1	PAPER

P6317

Issue: D

METERS - VALVES - VENTS - MANHOLES - PUMPS - HOSEREELS - OVERFILL PROTECTION - LOADING ARMS - ELECTRONIC DIPSTICKS



LIQUIP INTERNATIONAL PTY LTD

PO Box 7049
Wetherill Park BC, 2164
Sydney NSW Australia
Phone: +612 9725 9000
Fax: +612 9725 1252

DISTRIBUTORS

See website
for Liquip branches
and Distributors

www.liquip.com