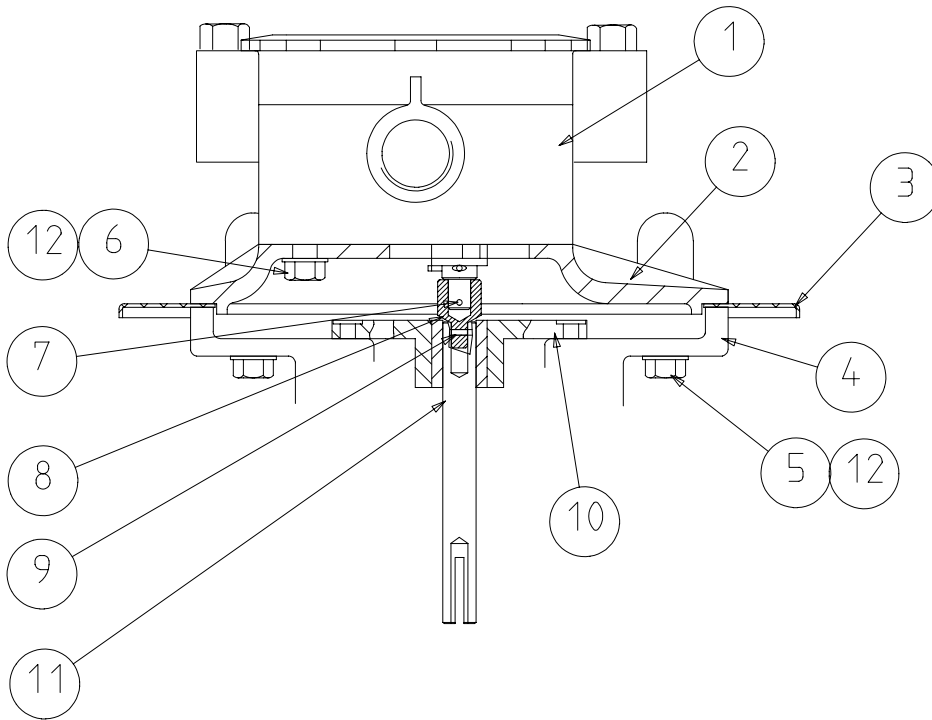


# LIQUIP

## EPM200-10 METER KIT FOR ELECTRONIC REMOTE PULSER TO TOP MOUNT TO SAMPI METERS WITH NO CALIBRATOR

PART No: 6377

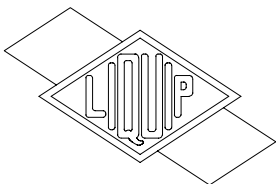


ITEM	PART NO	DESCRIPTION	EPM200-7	MATERIAL
1	ERP101	ELECTRONIC REMOTE PULSER	-	-
2	EPM200-1	ADAPTOR BRACKET TOP MOUNT	1	AL
3	EPM200-2	WEATHER PLATE	1	AL
4	-	METER		-
5	4992	SETSCREW	2	Z/P M/S
	EMH500-17	SETSCREW WITH HOLE	2	Z/P M/S
6	4984	SETSCREW	3	Z/P M/S
7	0759	COTTER PIN	1	Z/P M/S
8	EMH300-10	ADAPTOR DRIVE	1	AL
9	2042	SELOX PIN	1	Z/P M/S
10	EMH500-19	ADAPTOR BRACKET	1	AL
11	EMH400-23	SHAFT	1	S/S
12	0107	WASHER SPRING	7	Z/P M/S

P6377

Issue: B

METERS - VALVES - VENTS - MANHOLES - PUMPS - HOSEREELS - OVERFILL PROTECTION - LOADING ARMS - ELECTRONIC DIPSTICKS



LIQUIP INTERNATIONAL PTY LTD

13 Hume Road  
Smithfield, Sydney  
NSW Australia 2164  
Phone: +61 2 9725 9000  
Fax: +61 2 9725 1252

DISTRIBUTORS

See inside front cover  
for Liquip branches  
and Distributors or visit

[www.liquip.com](http://www.liquip.com)