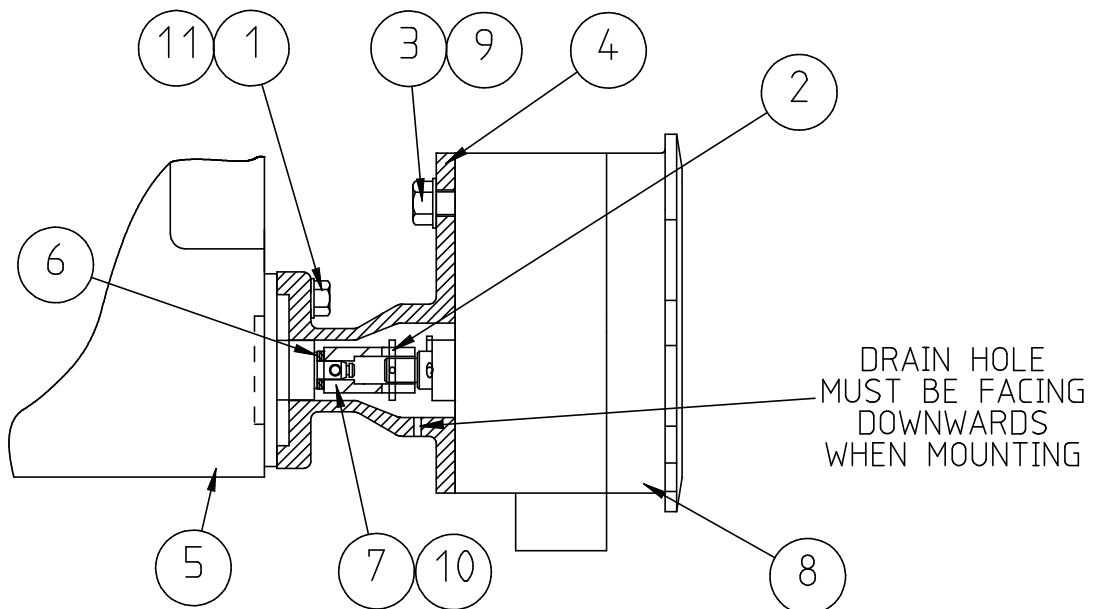


LIQUIP

EPM100-7Z METER KIT TO DIRECT MOUNT TO SAMPI OR LC METER



- 1- REMOVE CIRCLIP AND GEAR WHEEL FROM SHAFT OF METER.
- 2- LEAVE EXISTING NYLON WASHER & ADD 2 OFF 6541 FLAT WASHERS OVER THE SHAFT TO USE AS SPACER.
- 3- PULL SHAFT OUT AS MUCH AS POSSIBLE & ATTACH EPM100-5 DRIVE DOG WITH 4874 GRUBSCREW.
- 4- ENSURE THE PLATE REMAINS ON THE METER & MOUNT EPM100-1 ADAPTOR BRACKET TO METER BODY.
- 5- FIT SELOX PIN TO SHAFT OF PULSER AND MOUNT IT TO ADAPTOR BRACKET
- 6- GLAND ON ERP MUST FACE DOWNWARDS WHEN INSTALLED

ITEM	PART NO	DESCRIPTION	QTY	MATERIAL
1	0755	SETScrew	2	Z/P M/S
2	4850	SELOX PIN	1	Z/P M/S
3	4984	SETScrew	1	Z/P M/S
	EMH500-18	SETScrew WITH HOLE	2	Z/P M/S
4	EPM100-1	ADAPTOR BRACKET - DIRECT MOUNT	1	ALUM
5	-	METER	-	-
6	6541	WASHER FLAT	3	Z/P M/S
7	EPM100-5	DRIVE DOG - NEW LC METERS	1	ALUM
8	-	ELECTRONIC REMOTE PULSER (NOT SUPP)	-	-
9	0107	WASHER SPRING	3	Z/P M/S
10	4874	GRUBSCREW M3 x 6 LONG	1	ST STEEL
11	0326	WASHER SPRING	2	Z/P M/S
12	7354	INSTRUCTION LEAFLET	1	PAPER

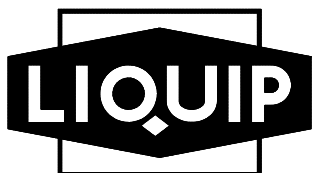
P7354

NOTE:

THIS KIT IS FOR SAMPI SM7SX01T1 BARE SHAFT METERS.

Issue: F

METERS - VALVES - VENTS - MANHOLES - PUMPS - HOSEREELS - OVERFILL PROTECTION - LOADING ARMS - ELECTRONIC DIPSTICKS



LIQUIP INTERNATIONAL PTY LTD

PO Box 7049
Wetherill Park BC, 2164
Sydney NSW Australia
Phone: +612 9725 9000
Fax: +612 9725 1252

DISTRIBUTORS

See website
for Liquip branches
and Distributors

www.liquip.com